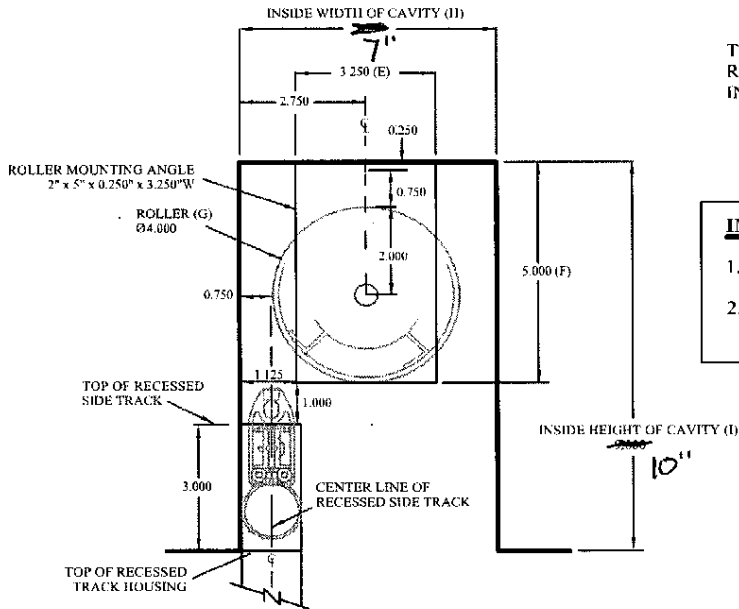


# Recessed Roller Placement Details - Minimum Cavity Size

FOR ILLUSTRATION PURPOSES ONLY - NOT DRAWN TO SCALE  
ALL DIMENSIONS ARE SHOWN IN INCHES

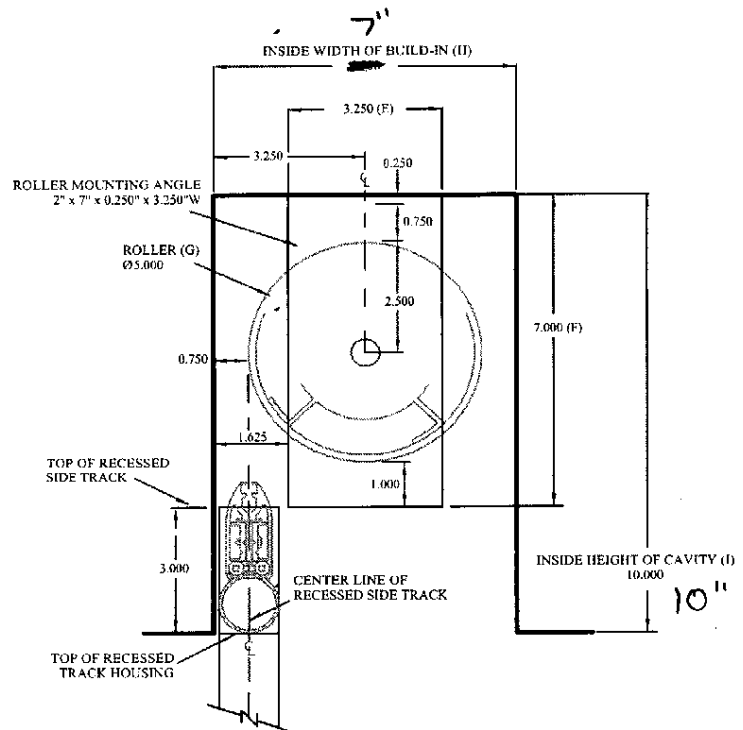


**PLACEMENT OF 4" ROLLER,  
5" ROLLER MOUNTING ANGLE  
AND RECESSED SIDE TRACK (V2)**

TO DETERMINE YOUR ROLLER REQUIREMENTS  
REFER TO THE "EXECUTIVE OVERLAY REFERENCE CHART"  
IN THE EXECUTIVE MANUAL, PRODUCT APPLICATION DIVISION.

**IMPORTANT NOTE:**

1. THE DIMENSIONS GIVEN FOR THE CAVITY ARE THE MINIMUM THAT CAN BE ALLOWED.
2. UNDER "NO" CIRCUMSTANCES ARE THE INTERIOR DIMENSIONS OF THE CAVITY TO BE MADE SMALLER.



**PLACEMENT OF 5" ROLLER,  
7" ROLLER MOUNTING ANGLE  
AND RECESSED SIDE TRACK (V2)**