

# EXECUTIVE DESIGN SPECIFICATIONS - SYSTEM WITH RECESSED SIDE TRACK (V3)


## (Exploded View)

FOR ILLUSTRATION PURPOSES - NOT DRAWN TO SCALE

### Parts Spec

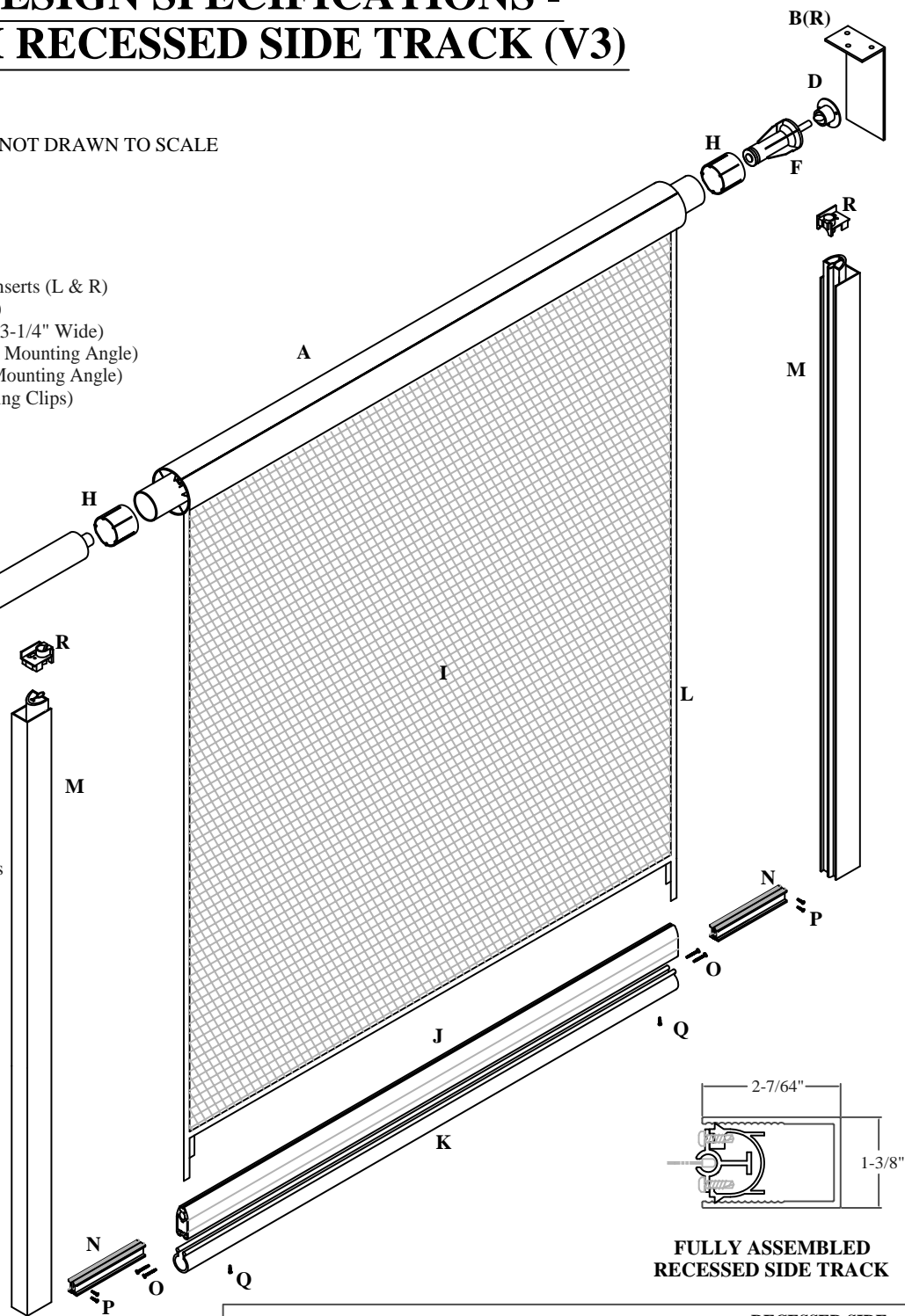
- A Roller Assembly ( 4" / 5" ) c/w Inserts (L & R)
- B Roller Mounting Bracket (L & R)  
( 2 x 5 x 1/4" or 2 x 7 x 1/4" - all 3-1/4" Wide)
- C Motor Bracket (Riveted to Roller Mounting Angle)
- D Idler Bearing (Riveted to Roller Mounting Angle)
- E Electric Motor (c/w Motor Securing Clips)
- F Spring Idler
- G Motor Adjustment Key
- H Drive (Gear)





- I PVC Coated Fiberglass Mesh or other - see Mesh Specifications
- J Slide Bar
- K Bottom Seal - 4" Shown  
(Other options available)
- L Zipper (Around All Sides)
- M Recessed Side Track Assembly
- N Probe Assembly (3" or 6")
- O #6 x 1" Flathead Screw
- P #6 x 1/2" Panhead "TEK" Securing Screws (Tab to Probe)
- Q #6 x 1/2" Panhead "TEK" Securing Screws (For Shipping)
- R Track Entry Guide (Optional)



For ease of adjustment, the placement of the Track Clip should be such that the leg, indicated, is situated on the front side of the Recessed Side Track Housing.

**RECESSED SIDE TRACK  
INSTALLATION NOTE**



#6 x 1/2" PANHEAD "TEK" SCREW ( 3 per TRACK CLIP )	RECESSED SIDE TRACK	RECESSED TRACK CLIP	RECESSED SIDE TRACK HOUSING ( U - CHANNEL )
			

**EXPLODED VIEW OF RECESSED SIDE TRACK (V3) ASSEMBLY**

RECESSED TRACK CLIP IS 3" LONG AND PLACED EVERY 2'

All dimensions are given in inches.