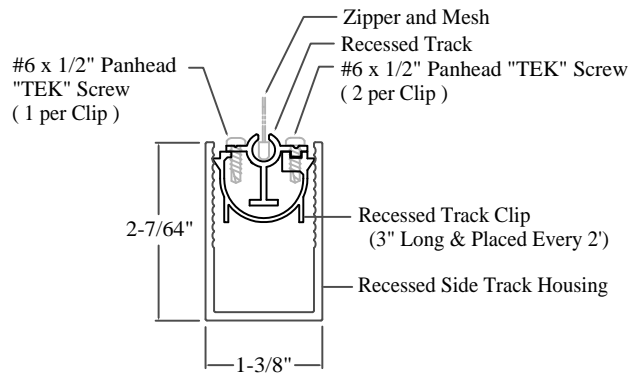


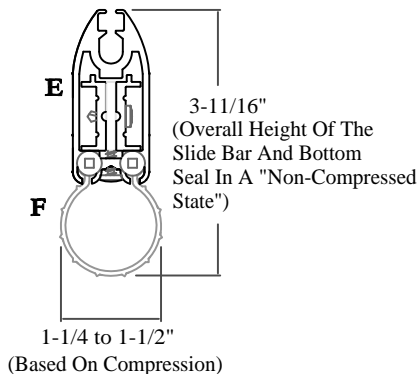
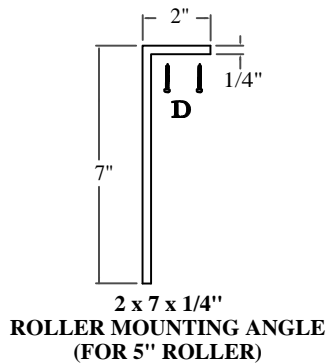
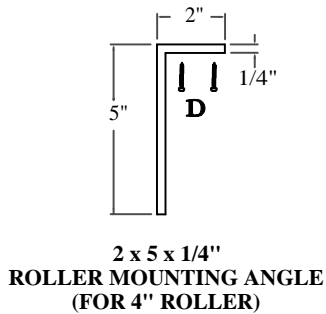
# EXECUTIVE DESIGN SPECIFICATIONS - SYSTEM WITH RECESSED SIDE TRACK (V3)

## (External Assembled View)

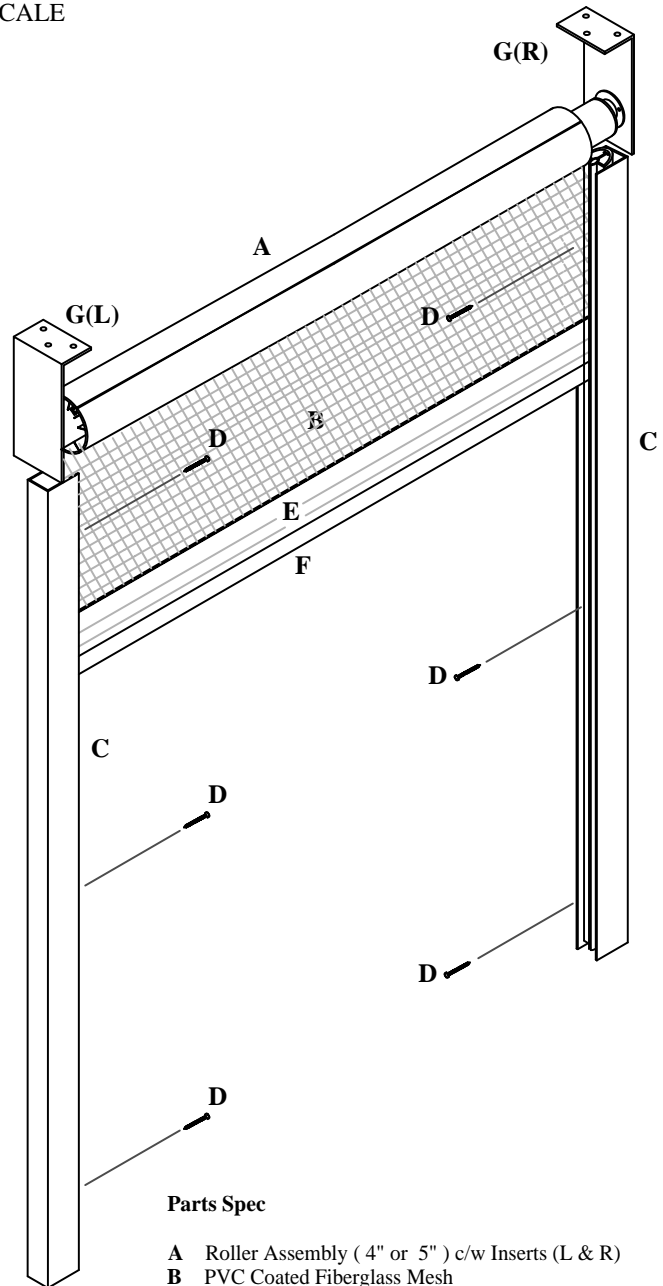
FOR ILLUSTRATION PURPOSES ONLY - NOT DRAWN TO SCALE



**CROSS SECTIONAL VIEW  
OF THE FULLY ASSEMBLED  
RECESSED SIDE TRACK (V3)**



**CROSS SECTIONAL VIEW  
OF THE  
SLIDE BAR AND  
4" BOTTOM SEAL**



### Parts Spec

- A** Roller Assembly ( 4" or 5" ) c/w Inserts (L & R)
- B** PVC Coated Fiberglass Mesh or other - see Mesh Specifications
- C** Recessed Side Track Assembly (1-3/8"W x 2-7/64"D)
- D** #8 or #10 Corrosion Resistant Fastener  
Type and length of screws may vary depending on type of mounting surface (Minimum of 3 per Side Track and Roller Mounting Angle)
- E** Slide Bar c/w Probe Assembly
- F** Bottom Seal - 4" Shown (Other options available)
- G** Roller Mounting Bracket ( 2 x 5 x 1/4" or 2 x 7 x 1/4" - all 3-1/4" W )

All components are color matched except Mesh, Rivets, and Bottom Seal.  
All fasteners are corrosion resistant. See "Fastener Reference Guide" for details.  
For application sizes, refer to Size Tables.